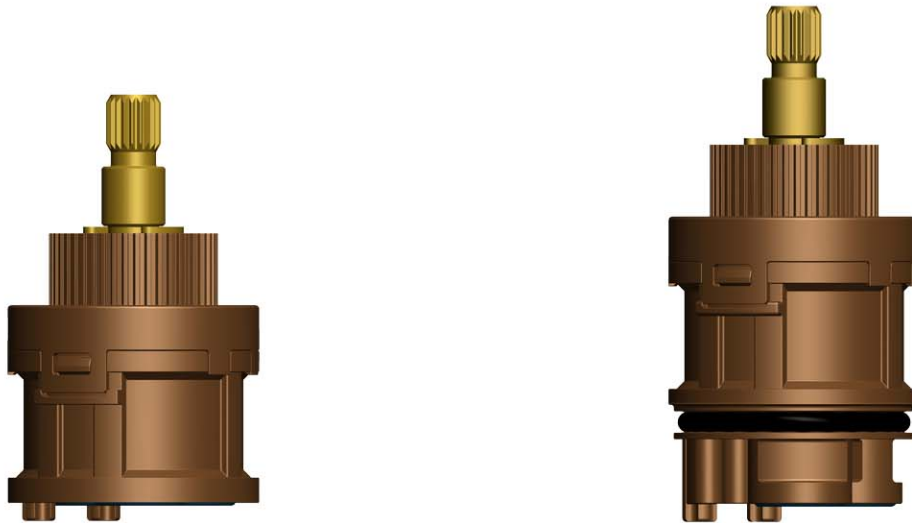




SOLID PLAST



Diverter 35mm EVO

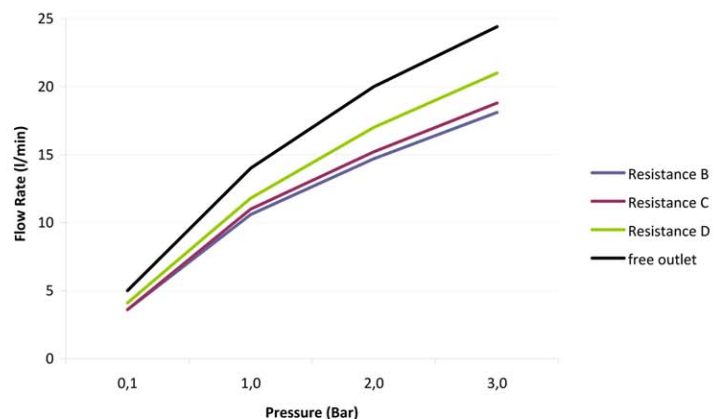
Interchangeable in the standard 35mm seat

TECHNICAL CHARACTERISTICS OF THE CARTRIDGES:

Lever rotation: 180° (90° for each way)

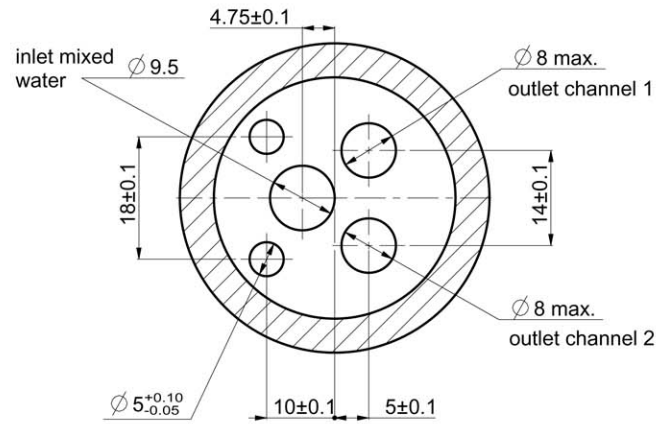
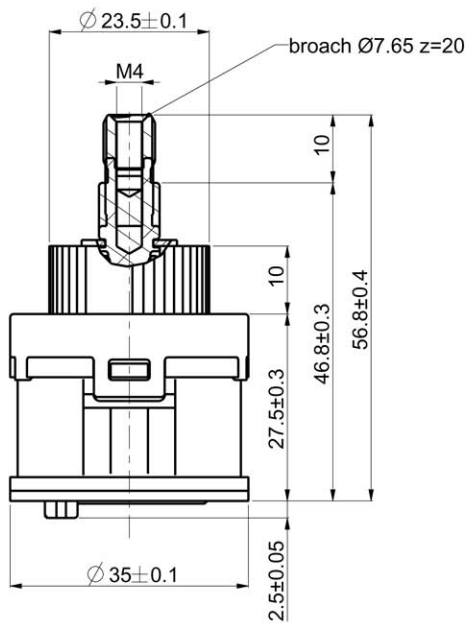
Max. water static pressure: over 50bar

Hammer test: in conformity to NF

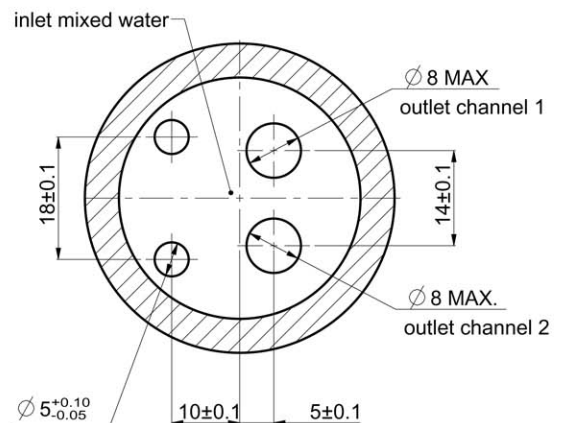
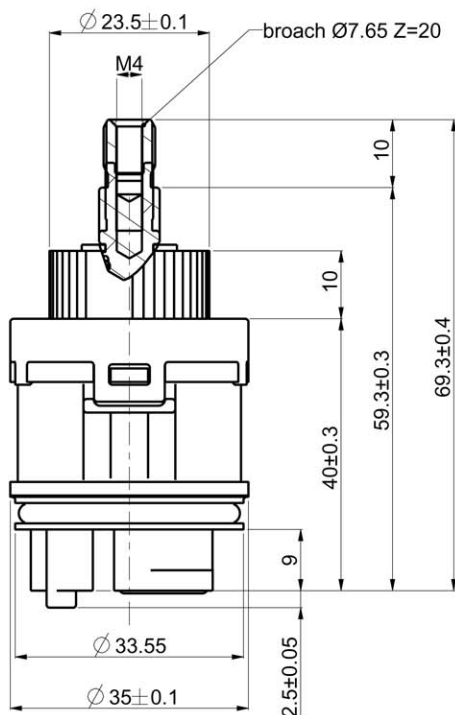


NUOVA GALATRON

tap seat G35



tap seat G35d



SOLID PLAST and NUOVA GALATRON reserve the right to change and improve on specifications at any time.



NUOVA GALATRON SRL
 Via Dell'Artigianato, 22
 I-46043 Castiglione d. Stiviere MN
 Tel. +39-0376-630778 Fax +39-0376-632333
 e-mail sales@galatron.it



SOLID PLAST SPA
 Via 8 Marzo, 3 Z.I. Cornali
 I-25013 Carpenedolo BS
 Tel +39-030-9965721
 Fax +39-030-9698368