



SOLID PLAST

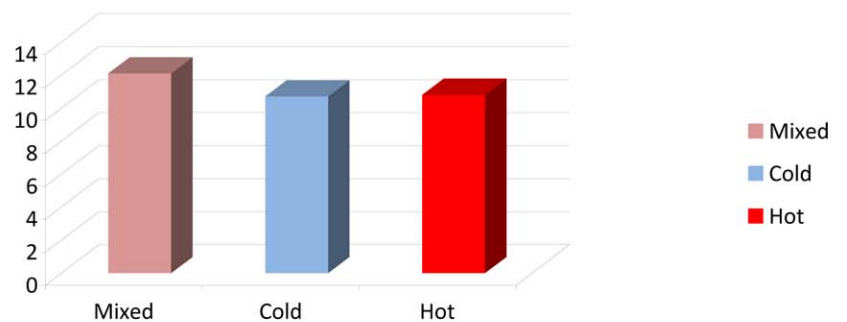


25mm JOYSTICK

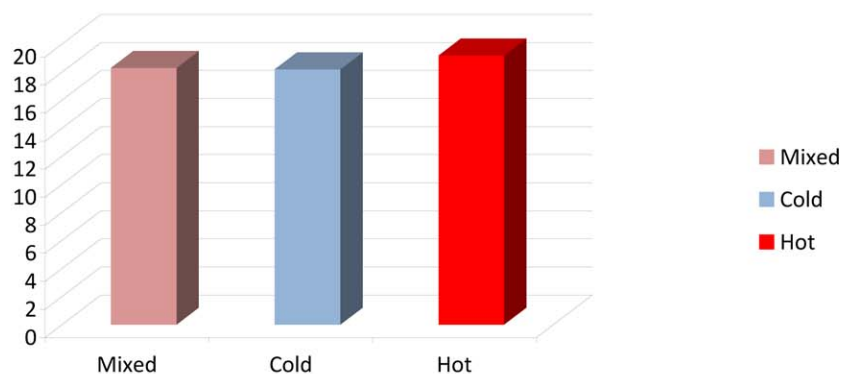
TECHNICAL CHARACTERISTICS OF THE CARTRIDGE:

- Max. opening angle: $23 \pm 1^\circ$
- Max. mixing angle: 90°
- Max. water static pressure: over 50bar
- Hammer test: in conformity to NF
- Tightening torque: 8Nm

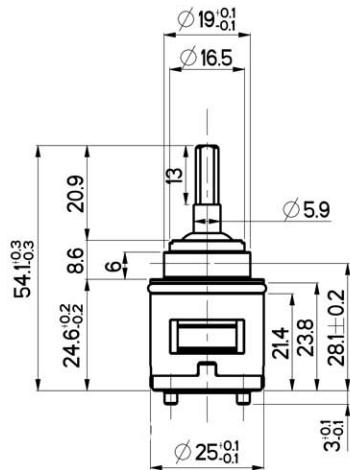
Flow rate (max.)
(l/min)



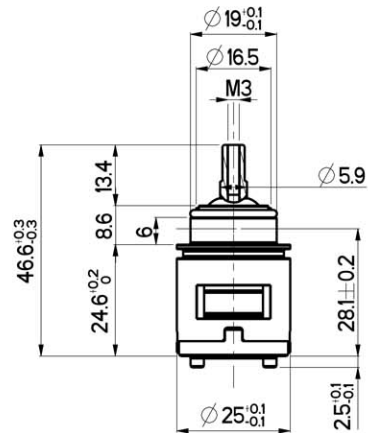
Noise dB(A)



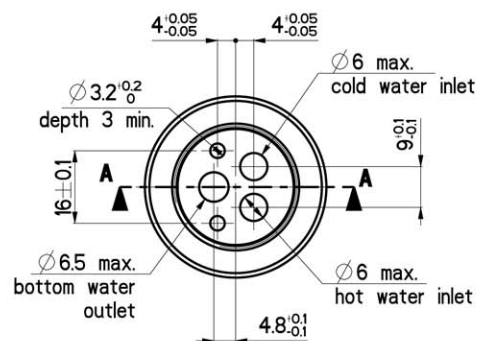
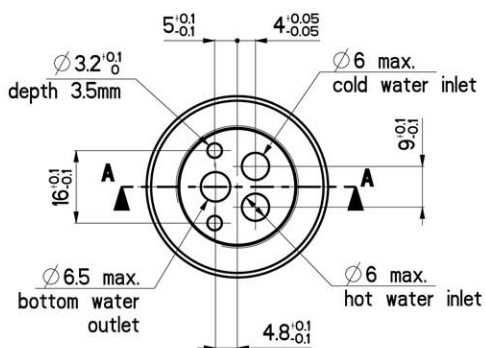
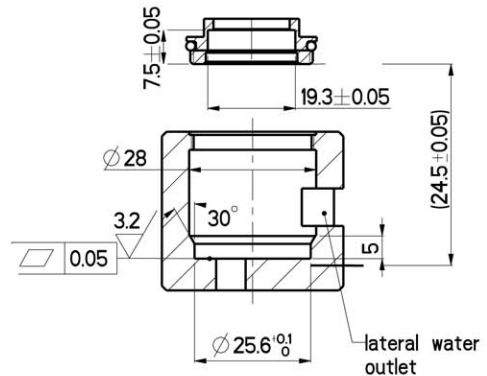
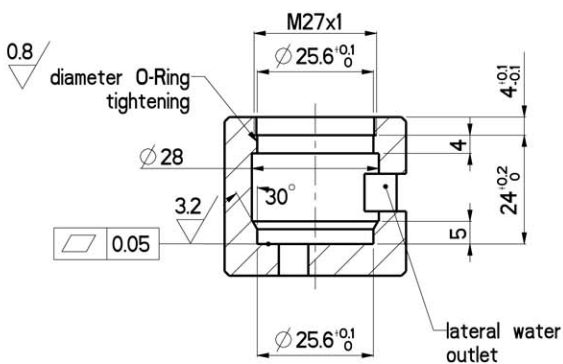
NUOVA GALATRON



Tightening at 8Nm without special nut.
Version water outlet from bottom and lateral



Tightening by mechanical watertight with special nut.
Version water outlet from bottom and lateral



SOLID PLAST and NUOVA GALATRON reserve the right to change and improve on specifications at any time.



NUOVA GALATRON SRL
Via Dell'Artigianato, 22
I-46043 Castiglione d. Stiviere MN
Tel. +39-0376-630778 Fax +39-0376-632333
e-mail sales@galatron.it



SOLID PLAST SPA
Via 8 Marzo, 3 Z.I. Cornali
I-25013 Carpenedolo BS
Tel +39-030-9965721
Fax +39-030-9698368